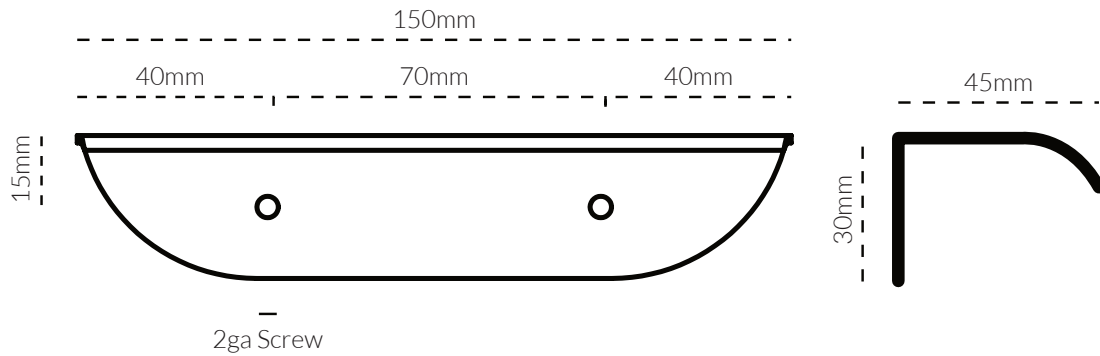



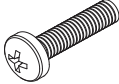





HARDWARE | CARLISLE PULL 15CM

TECH SPEC

SPECIFICATIONS



FINISH	SKU	FIXINGS ALSO INCLUDED
 Natural Brass	4045-150-US4	1x 2ga * 15mm self-tap screw 
 Matte Black	4045-150-US19	
 Matte White	4045-150-W	
 Brushed Nickel	4045-150-BN	

CARE INSTRUCTIONS

Wipe with damp cloth and avoid using any chemicals.